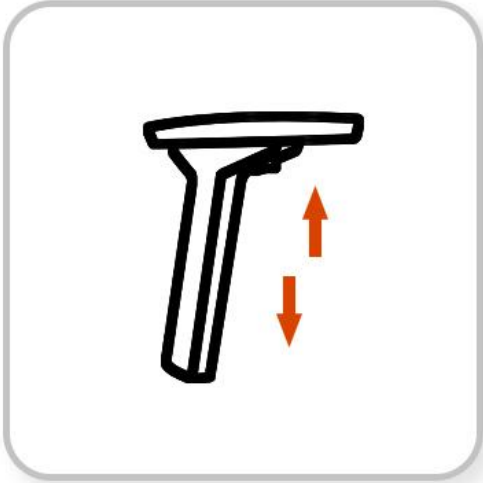


# 6226 Series product introduction



# Six Core Strengths



3D adjustable armrest



Smart top waist design



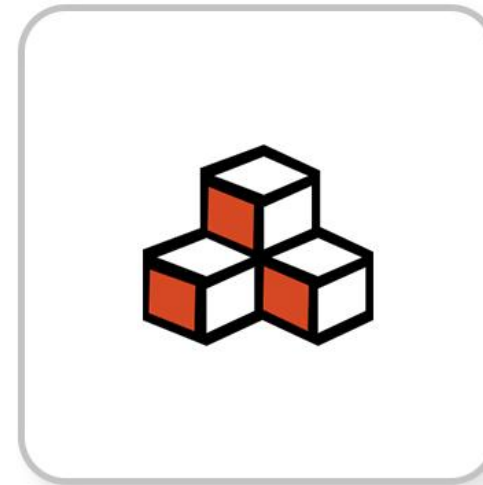
Cushion hollow design



Function mechanism

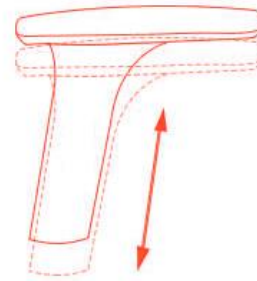


Good quality mesh

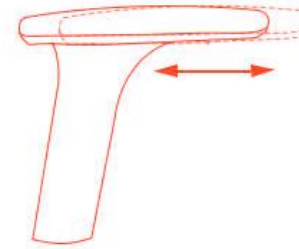


Primary engineering material

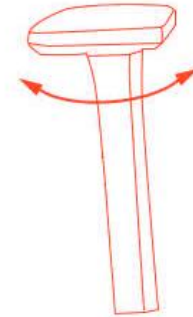
# 3D adjustable armrest



Up and down



Front and back



Left and right

# Intelligent adjustment for top waist and waist



Adaptive waist



Normal fixed waist

# Function mechanism



1 Adjust the backrest tilt



2 Adjust seat lift



3 The seat plate and backrest lean forward synchronously



4 Sliding seat



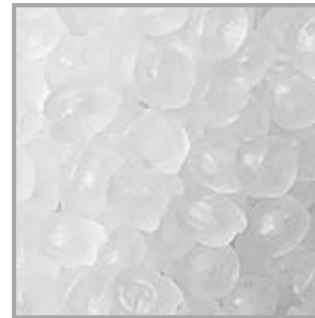
5 Multi-angle reclining lock



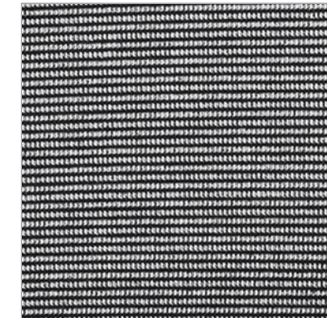
# product presentation



Cambered head pillow is designed to fit cervical curve. Adjustable, suitable for people of different height.



Nylon and glass fiber backrest, strong and resistant to pressure, Less prone to fracture



High quality mesh fabric, tensile and wear resistance. Breathable, anti - static, long - sitting color change.

# product presentation



gaslift

4 class , Reliable quality and stable performance

base

Self-designed five star mold opening foot, high strength support, can pass THE BIFMA test standard

wheel

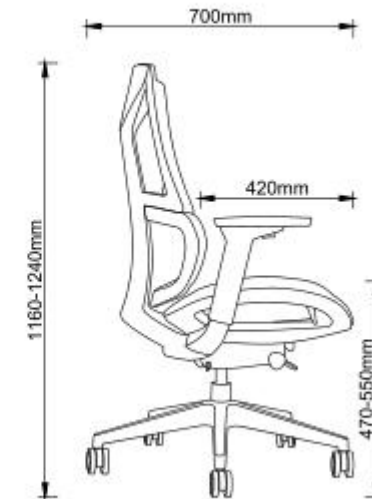
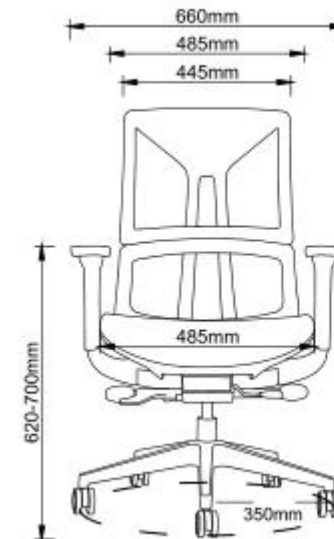
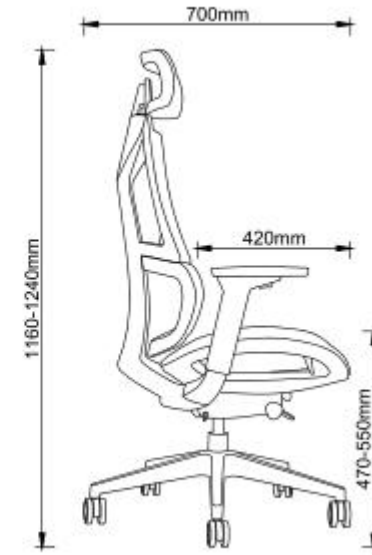
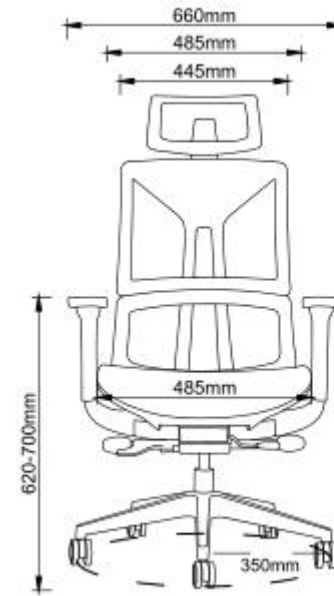
PU edge universal wheel, can be used on wood floor, anti-scratch mute

product display





# Configuration introduced



# parmeter



Zhongshan Guanqiang 60mm large (PA) shockproof mute casters 300000 round wheel test.

The five-star foot was formed by aluminum alloy die-casting, and the static pressure test was more than 1500KG, higher than the BIFMA test standard.

The air rod of costrength level 4 is made of 2.0mm high quality seamless steel tube. It has been tested for 300,000 times of lifting and shaking from side to side, and the landing phenomenon is unbiased. The operating environment is -40°C-+50°C

Luxury self-loading tilting mechanism, with 6-gear locking, seat forward tilting and sliding functions, can automatically adjust the comfort according to human weight without adjusting the spring knob. Material: aluminum alloy + steel plate, durability test of 300,000 yuan, no interference in the movement of the mechanism and no noise. Range of back tilting strength: 14kg-25kg, precise and even tilting strength.

The seat is made of South Korea special mesh plus dupont PA plus glass fiber frame, 150KG static pressure for 30 days, 102KG stamping for 30W times without deformation or collapse. Color fastness above grade 4, wear-resistant continuous yarn for 3W times; Air permeability is superior.

Dupont PA with fiberglass injection molding back frame, seat shell, head pillow; The whole network design protects the waist function.

3D lifting, front, back, left and right sliding handrail, seven-gear locking, PU surface.

Korea imported special net, tensile and wear resistance. Air permeability and anti-static performance is superior.

Black back frame high back chair, in accordance with BIFMA5.1 test standards. Comply with EN1335 test standard.

The headrest can be adjusted up and down by 5CM.



**THANKS**

